



20-100
kVA

TELECOM



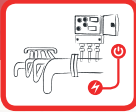
DATAKOM



MASS TRANSIT



OIL & GAS



POWER UTILITIES



20 kVA = 20 kW

MODULAR UPS

MODULE POWER 20 kVA - 20 kW

INPUT 3x400 Vac + N

OUTPUT 230 Vac (L- N)



DESCRIPTION

AGIL is a compact and scalable modular UPS providing a pure sine wave AC supply.

The “Twin Sine Innovation” (TSI) technology ensures independent “hot pluggable and hot swap” modules that include virtually all functions of a conventional UPS (AC/DC, DC/AC, battery charger, Static Switch), eliminating all potential single points of failure.

Up to 5 modules can be installed in parallel to bring the full output power potential to max 100kVA in 3P->1P.

APPLICATIONS

All traditional data centers applications that require flexibility in their power needs.

But also a large variety of applications where a multidirectional energy converter is required.

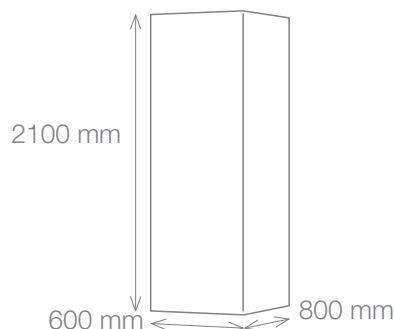
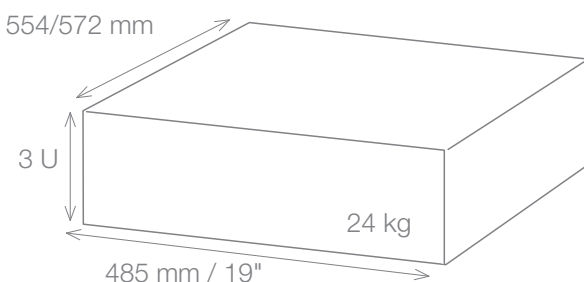
MAIN FEATURES

- » Selectivity
- » Versatile charging
- » Battery sustainability
- » Harsh AC input conditions
- » High efficiency, certified by SGS

GENERAL	AGIL Module	AGIL 40	AGIL 60	AGIL 80	AGIL 100
EMC (immunity)	EN 61000-4-2 / EN 61000-4-3 / EN 61000-4-4 / EN 61000-4-5 / EN 61000-4-6 / EN 61000-4-8				
EMC (emission) (class)	EN 55022 (A)				
Safety	EN 62040-1-1				
EN62040-3 performance level	VFI-SS-111				
MTBF / Cooling	240 000 hrs / Forced				
Efficiency (Typical): Enhanced power conversion / on line	96% / 96% certified by SGS at 45% load				
True Redundant Systems – compliant	3 disconnection levels on AC out and DC in power ports 4 disconnection levels on AC in port				
RoHS	Compliant				
Vibration	GR63 office vibration 0 to 100 hz-0.1 g / transport vibration 5-100 Hz 0.5 g 100 to 500 hz-1.5 g / Drop test				
Operating conditions	Designed for installation in an IP20 or IP21 environment. When installed in a dusty or corrosive environment, appropriate measures (air filtering, ...) must be taken.				
Altitude above sea without de-rating	< 1500 m / derating > 1500 m – 0.8 % per 100 m				
Ambient / storage temperature / relative humidity	-10 to 40 °C / -40 to 70 °C / 95%, non-condensing				
Material (casing)	Coated steel-ALU ZINC-Front plate coated black RAL9005				
AC OUTPUT POWER					
Nominal Output power (VA) / (W)	20 kVA / 20 kW	40 kVA / 40 kW	60 kVA / 60 kW	80 kVA / 80 kW	100 kVA / 100 kW
Short time overload capacity	130 % (15 seconds) 110 % permanent within T° range				
Admissible load power factor	Full power rating from 0 inductive to 0 capacitive				
Internal temperature management and switch off	Yes				
DC BATTERY SPECIFICATIONS					
Nominal voltage (DC)	408 Vdc (204 cells VRLA) or 336 cells (NiCd)				
Voltage range (DC)	336 Vdc to 490 Vdc				
AC INPUT SPECIFICATIONS					
Nominal voltage (AC)	3x380 V/400 V/415 + Neutral 5 wires for 3 phases				
Voltage range (AC)	150 Vac to 275 Vac line to neutral (derating 150 to 220 Vac)				
Conformity range before transfer to DC	Adjustable				
Power factor	> 99%				
Frequency range (selectable) / synchronization range	50 or 60 Hz / range 30 to 70 Hz adjustable				
AC OUTPUT SPECIFICATIONS					
Nominal voltage (AC*)	220 / 230 / 240 Vac single phase				
Frequency / frequency accuracy	50 - 60 Hz / 0.03 %				
Total harmonic distortion (resistive load)	< 1.5 %				
Load impact recovery time	0.4 ms				
Turn on delay	20 s to 40 s depending on the number of module installed				
Nominal current at 230 Vac	87 A	174 A	261 A	350 A	435 A
Crest factor at nominal power	3 : 1				
Short circuit clear up capacity	1.83 I _n during 15 s and 1.41 I _n after 15 s				
IN TRANSFER PERFORMANCE					
Max. voltage interruption / total transient voltage duration (max)	0 s / 0 s				
SIGNALING & SUPERVISION					
Display	Synoptic LED on module, and GUI with Catena				
Alarms output / supervision	Dry contacts on T4S / MODBUS, TCP-IP, SNMP				
Remote on / off	On rear terminal of the shelf via T4S				
CABINETS					
Dimensions (WxHxD) with external MBP	19" x 3U x 515 mm	600 x 2100 x 800 mm			
Nbr of cabinets	N/A	1	1	1	1

TSI AGIL Tri-Mono Datasheet v1.5 Specifications can change without notice. New data will be updated on our Web site: www.cet-power.com. The present equipment is protected by several international patents, trademarks and copyrights.

*Operation within lower voltage networks leads to de-rating of power performances.



Illustrations are non-binding and may include customized fittings.